

**Sensors:**

PT100

PT1000

Ni120

Ni1000

PTC

NTC

K type

J type



**FEATURES**

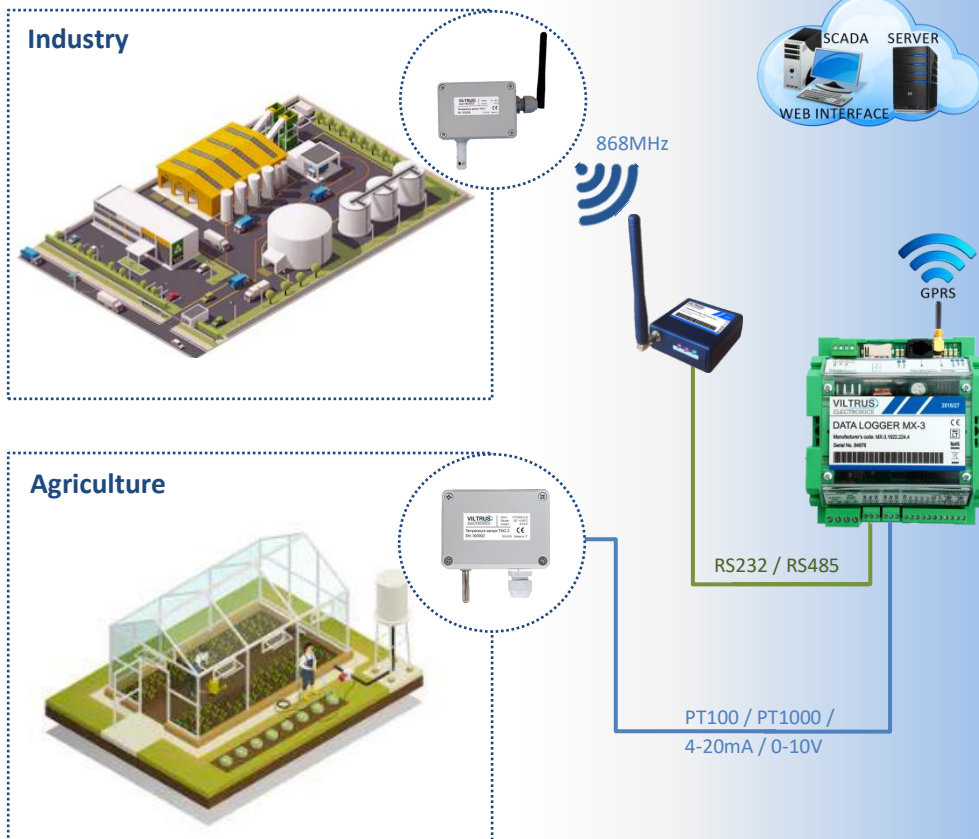
- Thermowell are made from AISI304 (1.4301) or 316L (1.4404) stainless steel
- High quality, robust temperature sensor
- Resistance thermometer class A or B, thermocouple 1 or 2 class
- For temperatures from -50 to +400 °C
- Single or double temperature probe
- Short response time
- 868MHz, 4-20mA, 0-10V or direct sensor output
- Customer – specific thermowell lengths, diameter and process dimensions

TMC-2 Temperature sensor with plastic box is perfect when needed to place sensor on the wall or don't fit big head. The application areas can be in the air conditioning, refrigeration industry, in the construction of HVAC systems laboratory technology or farming and agriculture. Rubber gasket between box base and cover and high-quality cable gland ensure daily water-proof IP65 class. 868MHz wireless version can transmit data up to 600m to RX-1 Temperature logger. Sensor can be used in dry or humid rooms with the operating temperature between -30 to +80 °C while measurement range is from -50 to 400 °C.

**Application**

- Water/Heat monitoring
- Marine
- Laboratory
- Heat substation metering
- Machinery
- HVAC
- Solar power plant monitoring

- Industrial monitoring
- Commercial monitoring
- Residential monitoring
- Environmental monitoring

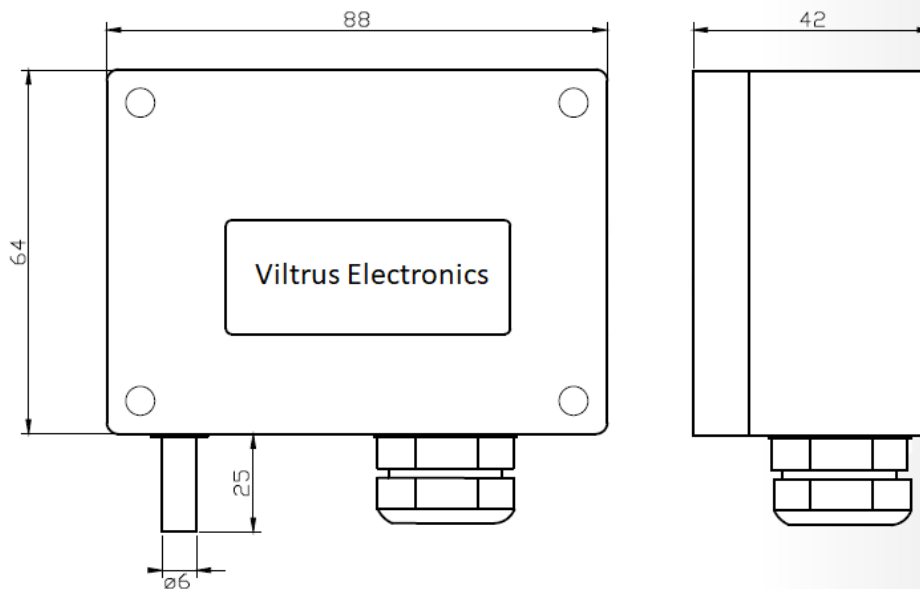


## TECHNICAL SPECIFICATIONS

<b>Description</b>	<b>TMC-2 temperature sensor</b>
Sensor	RTD (resistance) or thermocouple
Class	A or B (for RTD) and class 1 for thermocouple
<b>Material</b>	
Thermowell	AISI304 (1.4301) or 316L (1.4404) stainless steel
Cable material	PVC, silicone, PTFE, GLASS fiber or metal braiding
<b>Connection</b>	
Circuit	2-wire, 3-wire circuit or Wireless 868Mhz
<b>Certifications</b>	
	EN 61000-6-3:2007
	EN 61326-1:2006
	EN 61000-6-1:2007
	EN 61000-6-2:2005
Compatibility directives	EN 61326:2006
	EN 60751:2008
	EN 61515:1996
	EN 60584-2:1993
	EN 60584-3:2008
<b>Physical characteristics</b>	
Dimensions	100 ... 3000 mm
Weight	100 g
Protection type	IP65
<b>Climate conditions</b>	
Operating temperature	-40 to +80 °C
Measurement range*	-50 to +400 °C

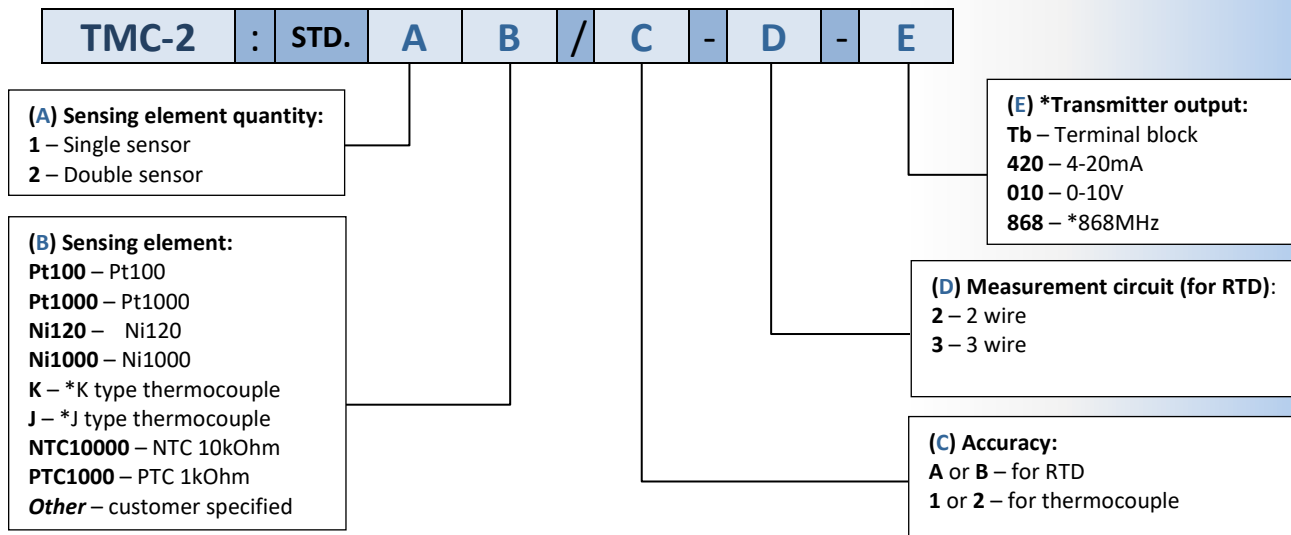
\* if using TM-1 or TM-2 probe sensors

## Drawing of standard TMC-2 sensor



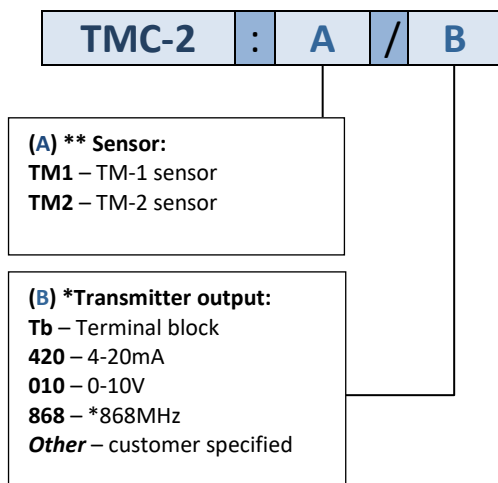
## ORDERING CODE

### TMC-2 Standard with box mount 6x25mm sensor:



e.g. **TMC-2:STD.1Pt100/B-2-420** Temperature sensor **TMC-2** with one **Pt100** class B sensor, measuring circuit **2** wire, output **4-20mA**.  
*\*868 MHz Wireless transmitter only for K and J type thermocouple.*

### \*\*TMC-2 with TM-1 or TM-2 sensor:



e.g. **TMC-2:TM1/420** Temperature sensor **TMC-2** with **TM-1** sensor, output **4-20mA**.  
*\*868 MHz Wireless transmitter only for K and J type thermocouple.*  
**\*\* Have to place both TM-1 or TM-2 and TMC-2 ordering codes**