

Threads:

M10x1

M12x1

G1/4

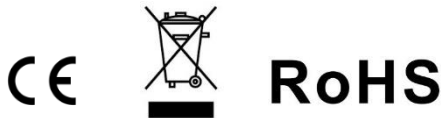
M14x1.5

M16x1.5

G1/2

M27x2

G3/4



FEATURES

- Made from AISI304 (1.4301) or 316L (1.4404) stainless steel
- High quality, quality inspection after machining
- Build-up by TIG welding tubes to connecting parts or CNC machined out of bar stock.
- Customer – specific thermowell lengths, diameter and process dimensions

TW Thermowells for temperature sensor and probes are made from 304 Stainless Steel or 316L which are used in food or chemical industry. The application areas can be in the air conditioning, refrigeration industry, in the construction of HVAC systems, laboratory technology, food industry or farming and agriculture. Thermowells can be made by TIG welding or CNC turning from bar stock, these thermowells have best mechanical properties, but can't be longer than 500mm length. All products are manufactured to the highest quality standards.

Application

Water/Heat monitoring 

Marine 

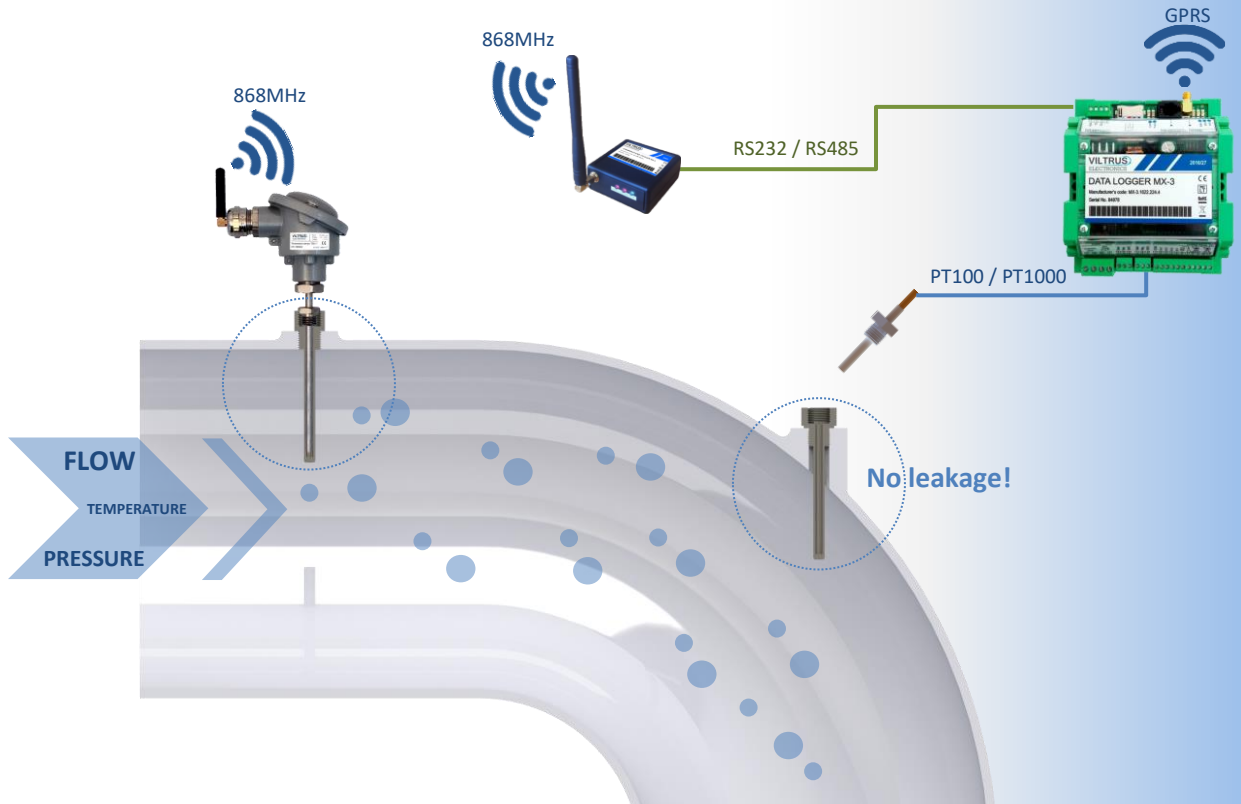
Laboratory 

Heat substation metering 

Machinery 

HVAC 

Solar power plant monitoring 

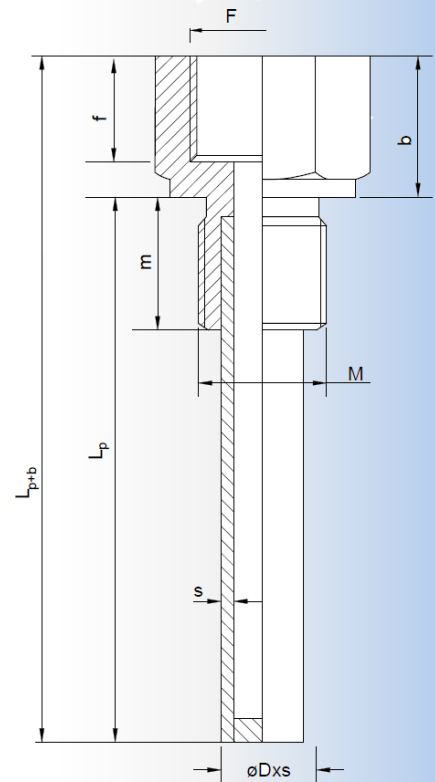


TECHNICAL SPECIFICATIONS

Material	AISI304 (1.4301) or 316L (1.4404) stainless steel
Connection	M10x1, M12x1, G1/4, M14x1.5, M16x1.5, G1/2, M27x2, G3/4
Physical characteristics	
Dimensions	50 ... 1000 mm
Weight	100 - 1000 g
Climate conditions	
Operating temperature	-50 to +600 °C

Thermowell drawing

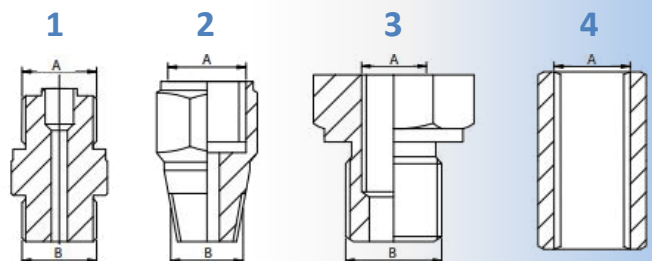
Protection tube size, D x s	M	m, mm	F	f, mm	b, mm	SW
6x1	M10x1	11	M10x1	11	15	24
	M12x1		M12x1			
8x1.5	G1/4	14	G1/4	12	18	27
10x1.5	M14x1.5		M14x1.5			
12x2	M16x1.5	15	M16x1.5	14	18	27
14x2	G1/2		G1/2			
15x2	M27x2	16	M27x2	20	25	36
	G3/4		G3/4			



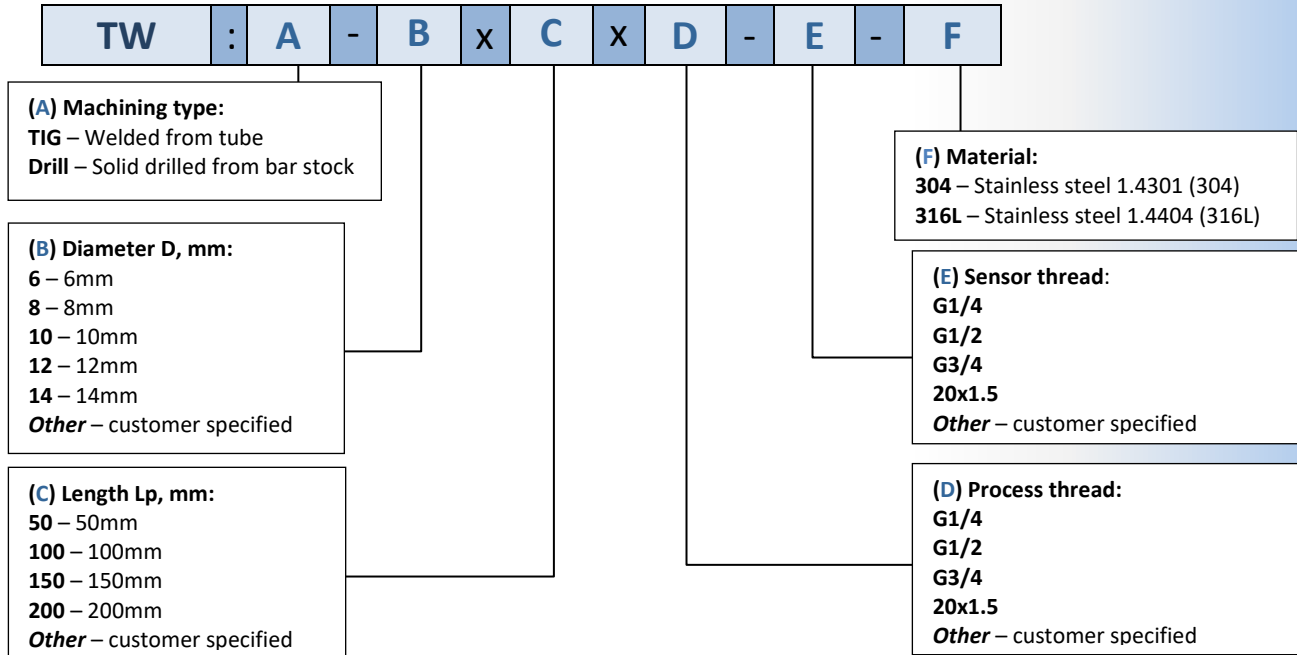
Adapters drawings

Adapter types	A	B
1	M10x1	M10x1
	M12x1	M12x1
	G1/4	G1/4
2	M14x1.5	M14x1.5
3	M16x1.5	M16x1.5
4	G1/2	G1/2
	M27x2	M27x2
	G3/4	G3/4

Types:

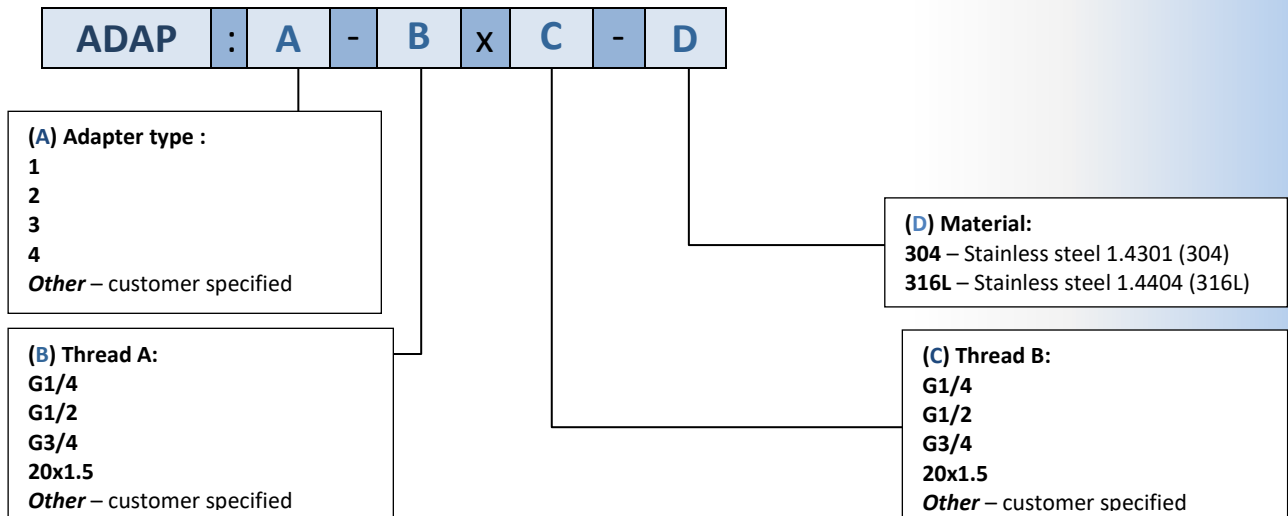


ORDERING CODE for Thermowell



e.g. **TW:TIG-10x100xG3/4-G3/4-304** This is **Welded** Thermowell, **10mm** diameter and **100mm** length with **G3/4** process and **G3/4** sensor thread, material stainless steel **304**.

ORDERING CODE for adapter



e.g. **ADAP:2-G3/4xG1/2-316L** This is **Second** type adapter from **G3/4** to **G1-2** thread and made from **316L** stainless steel.