

INTERFACES

RS232

RS485

USB

Ethernet

16 x Analog IN

8 x Discrete IN

16 Discrete OUT

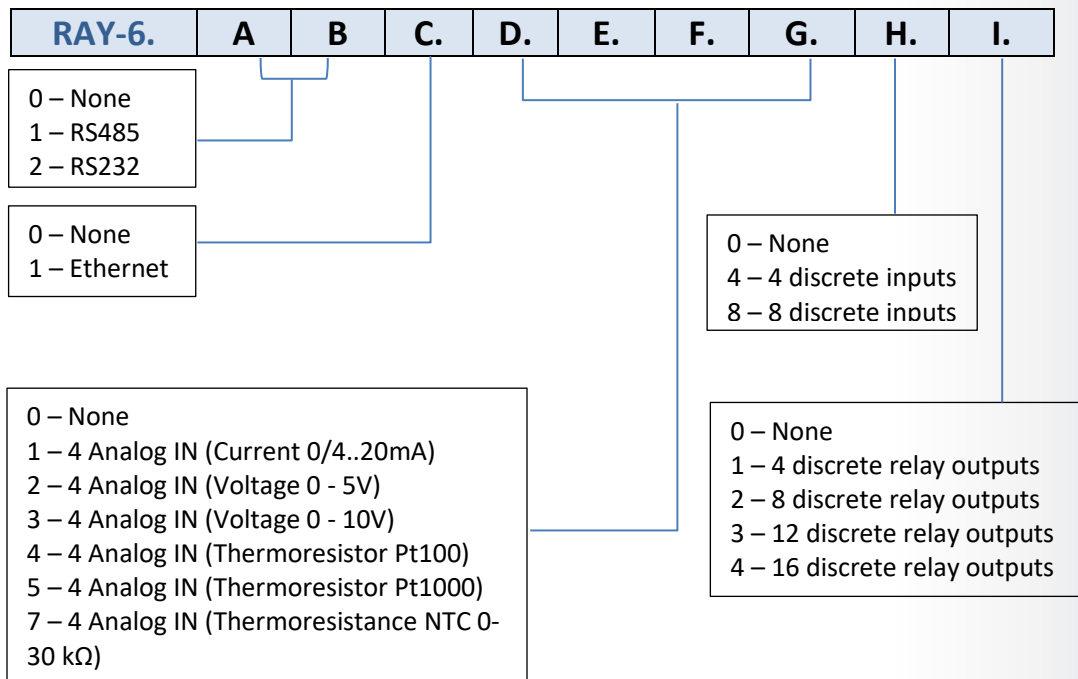


FEATURES

- Independent data log with real time stamp
- Supported interfaces: RS232, RS485, USB, Ethernet, Analog IN, Discrete IN/OUT
- Alarm limits tracing of analog and discrete inputs, logging in event archive, warning about alarms over Ethernet
- Alarms status of analog and discrete channels fixing
- Remote data sending over Ethernet using Modbus TCP/IP protocol
- Up to 16 analog inputs (voltage, current, resistance, PT100)
- Up to 8 discrete inputs (contact / impulse / alarm)
- Up to 16 discrete relay outputs

RAY-6 data logger is dedicated for measuring of analog (voltage, current, resistance) parameters, for tracking the status of discrete inputs, formation of discrete output signals, archiving and sending data to local users/server over RS232/RS485 or USB and to remote users/server over Ethernet using Modbus TCP/IP protocol.

ORDERING CODE



Example: **RAY-6.10.1.1140.8.0** (RS485, Ethernet, 8x Analog IN (Current), 4x Analog IN (Thermoresistor Pt100), 8 Discrete IN)

TECHNICAL SPECIFICATIONS

Description	RAY-6 data logger
CPU	CORTEX M4
Flash	archive storage up to 8 MB, independent data storage without power about 5 years
Interfaces	
RS232 (2 ports)	distance up to 15 m, speed up to 19,2 Kbit/s
RS485 (2 ports)	distance up to 1,2 km, max 32 transivers, speed up to 19,2 Kbits/s
Ethernet	10/100 Mbps, RJ45, distance up to 100 m
USB	type B, ver. 2,0
Discrete IN	8 sink contact
Discrete OUT	16 relay (220VDC/3A; 24VAC/1A)
Analog IN	16 resistance, voltage or current, reading 10 times per second
Protocols	
Modbus RTU, Modbus TCP/IP, IP, ICMP, UDP, TCP, DHCP, PPP, ARP, SNTP, IEC60870-5-104:2000, DynDNS, FTP server, FTP client, DNS client	
General	
Power supply	9-36 VDC
Over-voltage protection	>1000V
Power consumption	<10VA
Physical characteristics	
Dimensions	277x128x50 mm
Weight	800 g
Mounting type	on DIN rail
Protection type	IP20
Climate conditions	
Operating temperature	-25 to +60°C
Storage temperature	-40 to +60°C
Humidity range	5 – 95%, non-condensing
Programing and updating	
Remote	Ethernet (RJ45)
Locally	USB, RS232, RS485
LED indication	
Power	
Status of discrete input, for each port	
Serial ports read/write for each port	
Ethernet status	
Other features	
Real time clock	+
Warranty period	2 years